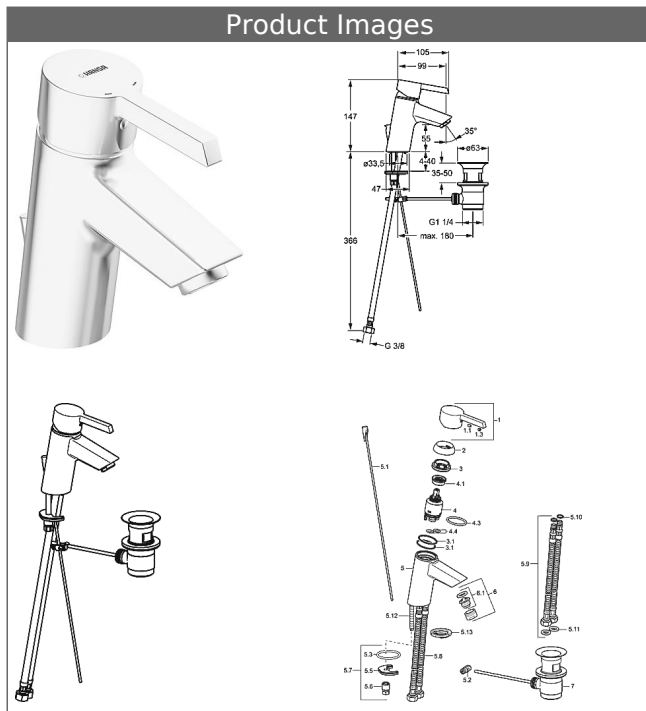


## HANSAPINTO one-hole single-lever basin mixer, DN 15



### Description

**HANSAPINTO**  
one-hole single-lever basin mixer, DN 15

P-IX 19619/IA  
flow rate: 6 l/min, at 3 bar hydraulic pressure

- body: DR brass (MS 63)
- operating lever (metal)
- (-) H+C symbol
- aerator
- (-) constant flow rate independent of pressure
- (-) improved limescale protection with the HONEYCOMB® structure
- pop-up waste (metal) and draw-rod
- rapid installation system
- connection with flexible hoses G 3/8 (-) DVGW W270 approved

spout: fix, cast  
projection: 99 mm

#### **HANSA control cartridge classic 3.5**

Item No.: 59913075

Qty: 1


- (-) ceramic discs with integrated grease wells
- (-) adjustable hot water stop
- (-) volume restrictor indefinitely variable up to approx. 6 l/min

#### **HANSA control cartridge classic 3.5**

Item No.: 59913075

Qty: 1

- (-) ceramic discs with integrated grease wells
- (-) adjustable hot water stop
- (-) volume restrictor indefinitely variable up to approx. 6 l/min

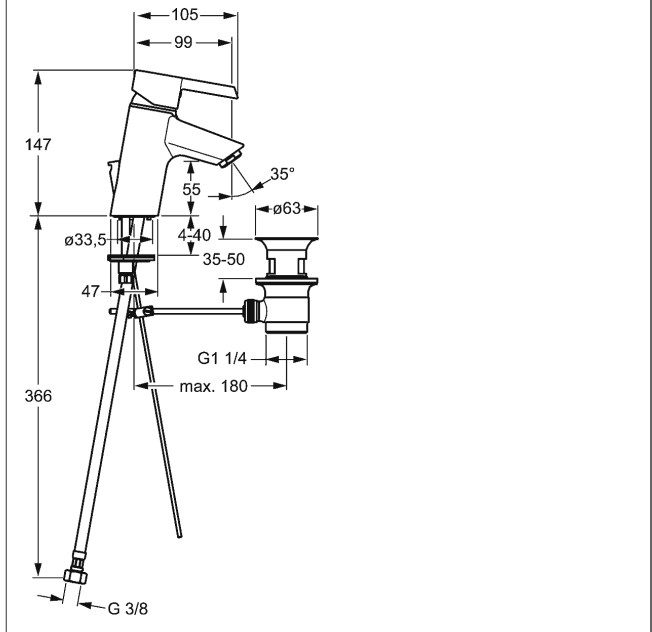
Model	Item No.	
chrome	45042203	

estimated availability until 30.06.2017

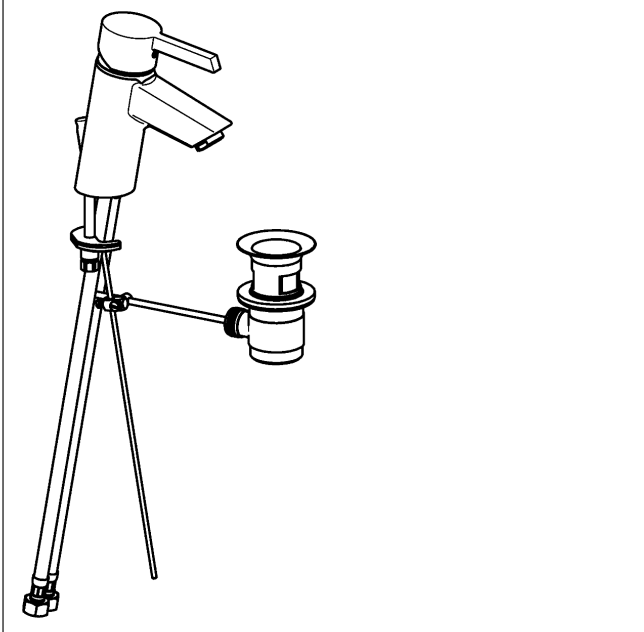
Product Image



Product Drawing



Product Drawing



Product Drawing

