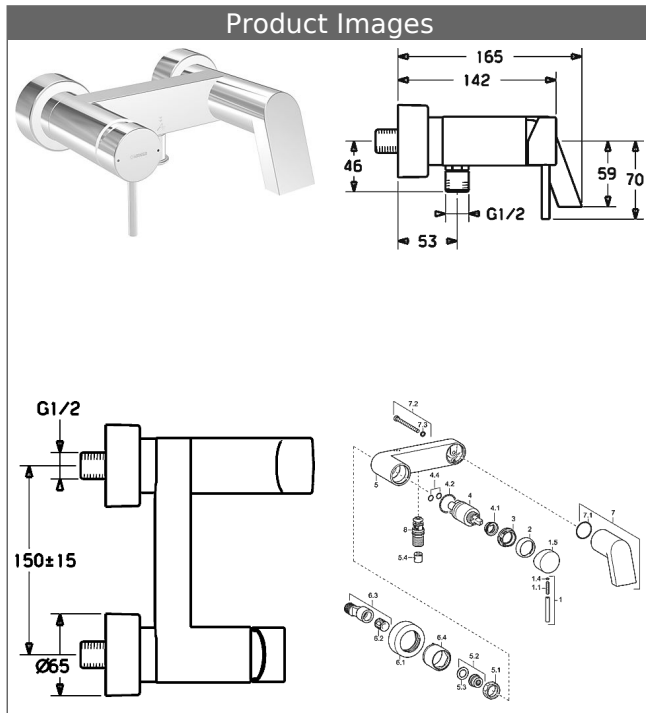


**HANSASTELA**  
**single-lever bath mixer, DN 15 (G 1/2)**  
**for wall-mounting**  
 with surge spray



Description

**HANSASTELA**  
 single-lever bath mixer, DN 15 (G 1/2)  
 for wall-mounting  
 with surge spray

flow rate: 20/19 l/min (spout/shower), at 3 bar hydraulic pressure

- body: DR brass (MS 63)
- operating lever (metal)
- diverter - automatic shower to bath reset
- shower outlet downward G 1/2
- eccentric-connections, hidden G 1/2
- protected against back-flow in domestic use (according to DIN EN 1717)

spout: fix, cast  
 projection: 165 mm

**HANSA control cartridge classic 3.5**

Item No.: 59913075

Qty: 1

- (-) ceramic discs with integrated grease wells
- (-) adjustable hot water stop
- (-) volume restrictor indefinitely variable up to approx. 6 l/min

**HANSA control cartridge classic 3.5**

Item No.: 59913075

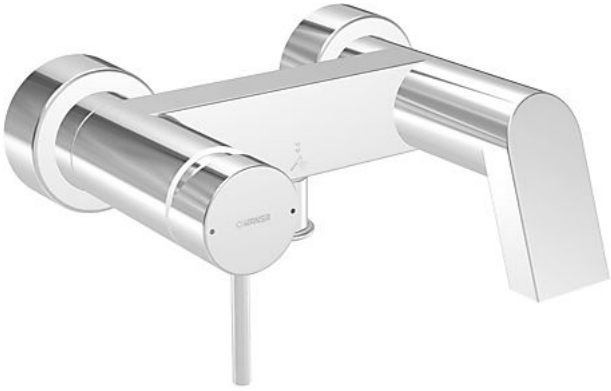
Qty: 1

- (-) ceramic discs with integrated grease wells
- (-) adjustable hot water stop
- (-) volume restrictor indefinitely variable up to approx. 6 l/min

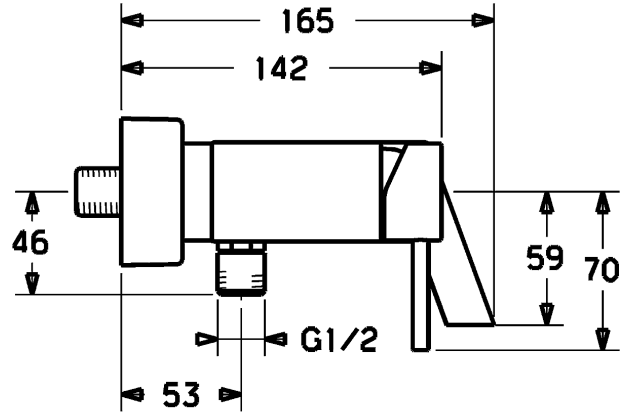
Model	Item No.	
chrome	57742101	

Only for combination with shower hoses, with conical nut

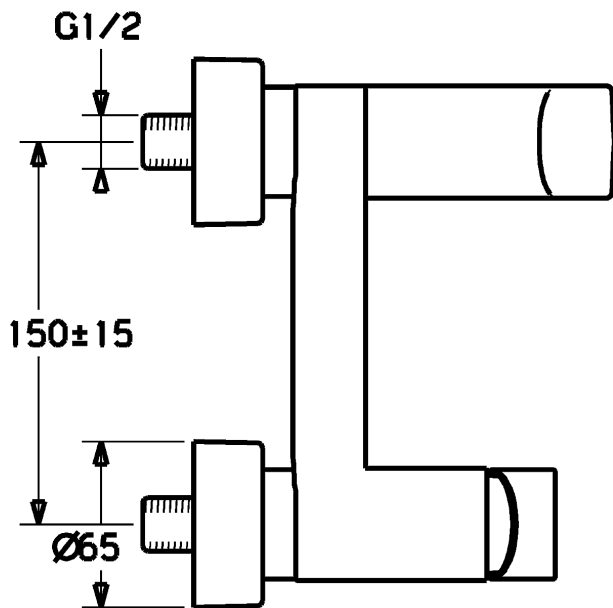
Product Image



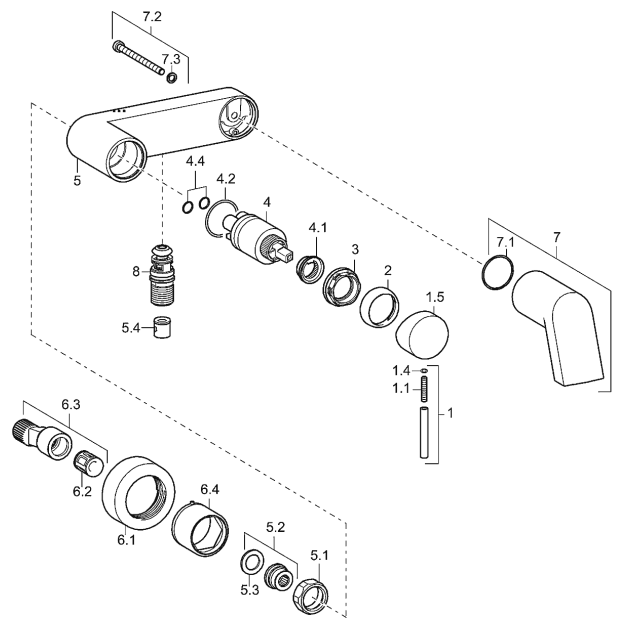
Product Drawing



Product Drawing



Product Drawing



Related Products

<b>Image:</b>	<b>Description:</b>	<b>Model / Item No.:</b>
---------------	---------------------	--------------------------