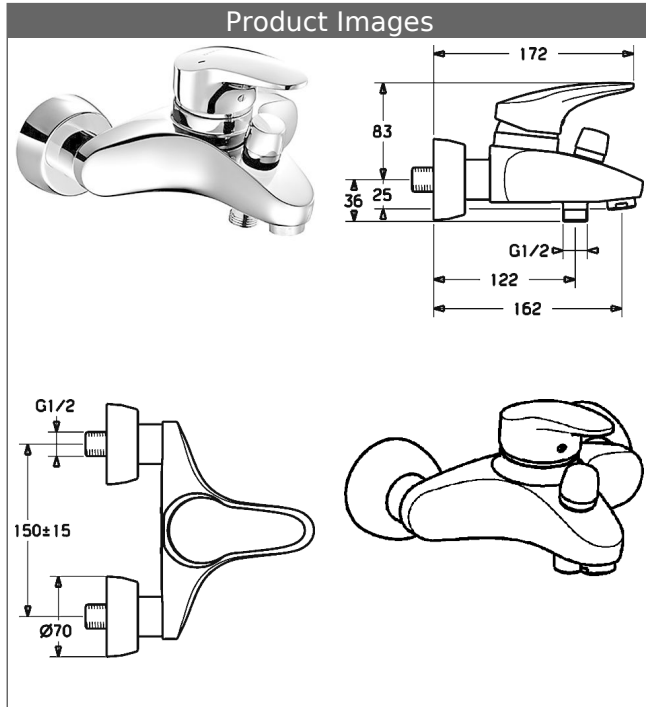


## HANSAMIX single-lever bath mixer, DN 15 (G 1/2) for wall-mounting




### Description

HANSAMIX  
single-lever bath mixer, DN 15 (G 1/2)  
for wall-mounting

PA-IX 19010/ICB  
flow rate: 20/19 l/min (spout/shower), at 3 bar hydraulic  
pressure

- body: DR brass (MS 63)
- operating lever (metal)
- (-) H+C symbol
- cascade aerator
- diverter - automatic shower to bath reset
- hidden eccentric connections
- protected against back-flow in domestic use (according to DIN EN 1717)

projection: 162 mm

Model	Item No.	
white	0174217382	

available until 31.12.2014

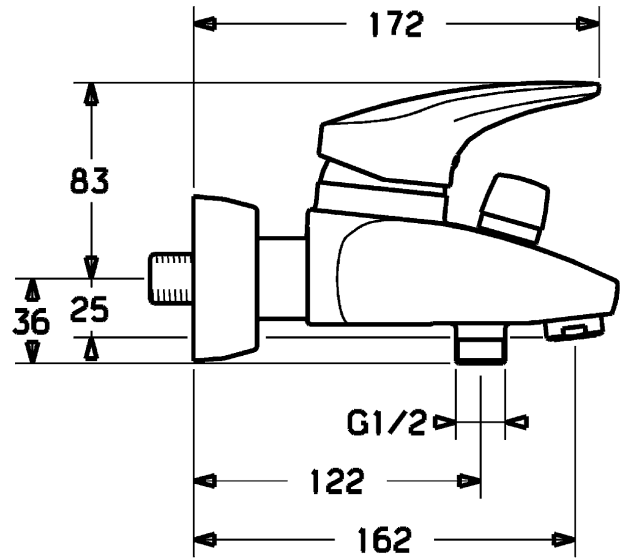
successor: 01742183

\* Item 0174217382 is orderable from  
HANSASERVICEplus

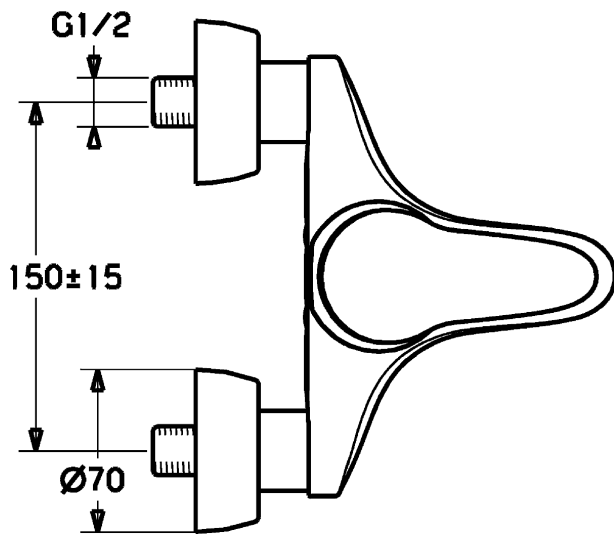
Product Image



Product Drawing



Product Drawing



Product Drawing

