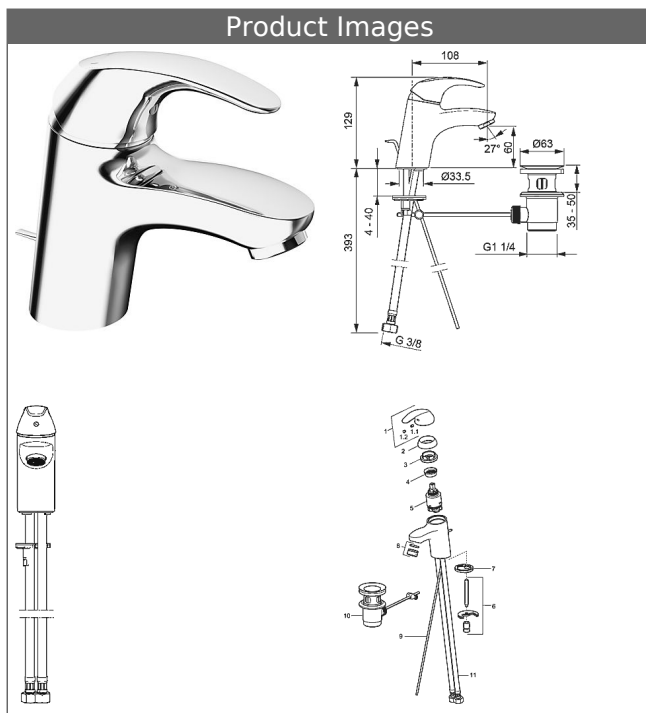


## HANSAPICO one-hole single-lever basin mixer, DN 15



### Description

HANSAPICO  
one-hole single-lever basin mixer, DN 15

P-IX 19400/10

flow rate: 6 l/min, at 3 bar hydraulic pressure

- body: DR brass (MS 63)
- operating lever (metal)
- (-) H+C symbol
- aerator
- (-) constant flow rate independent of pressure
- (-) improved limescale protection with the HONEYCOMB® structure
- pop-up waste (metal) and draw-rod
- rapid installation system
- connection with flexible hoses G 3/8 (-) DVGW W270 approved

spout: fix, cast

projection: 108 mm

#### HANSA control cartridge classic 3.5

Item No.: 59913075

Qty: 1

(-) ceramic discs with integrated grease wells

(-) adjustable hot water stop

(-) volume restrictor indefinitely variable up to approx. 6 l/min

#### HANSA control cartridge classic 3.5


Item No.: 59913075

Qty: 1

(-) ceramic discs with integrated grease wells

(-) adjustable hot water stop

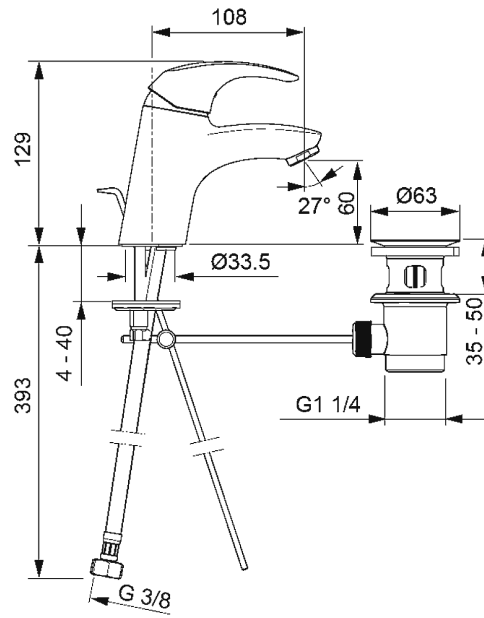
(-) volume restrictor indefinitely variable up to approx. 6 l/min

Model	Item No.	
chrome	46042273	

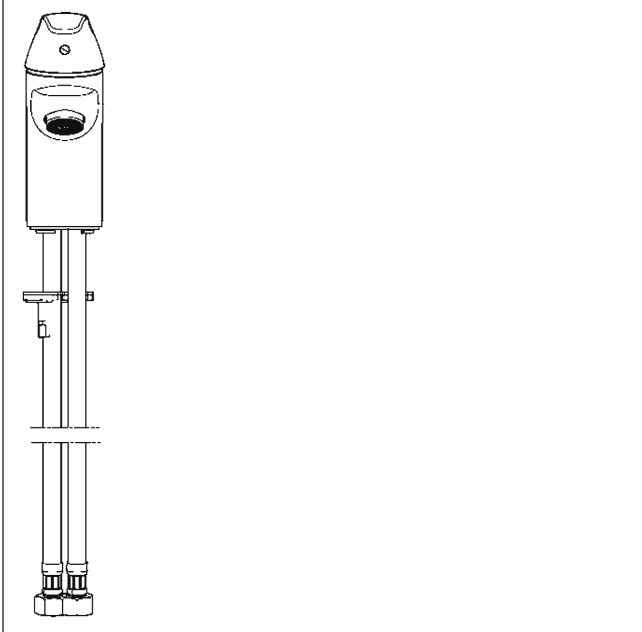
Product Image



Product Drawing



Product Drawing



Product Drawing

