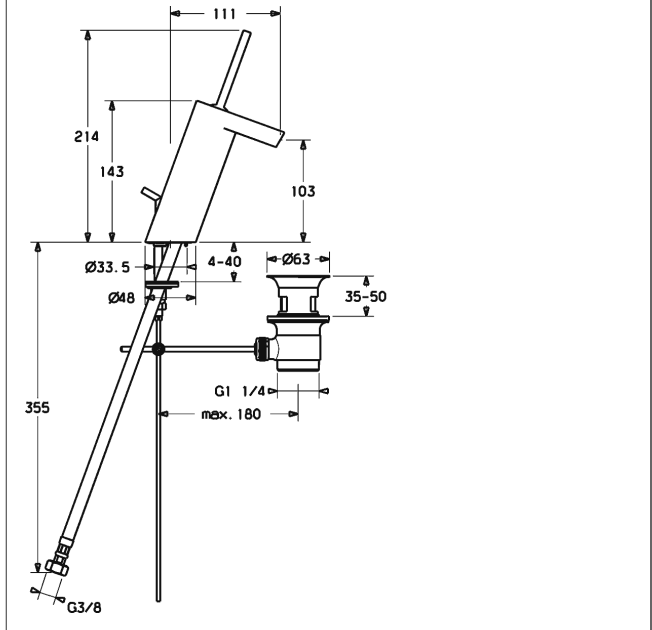




Product Image



Product Drawing



Product Drawing

