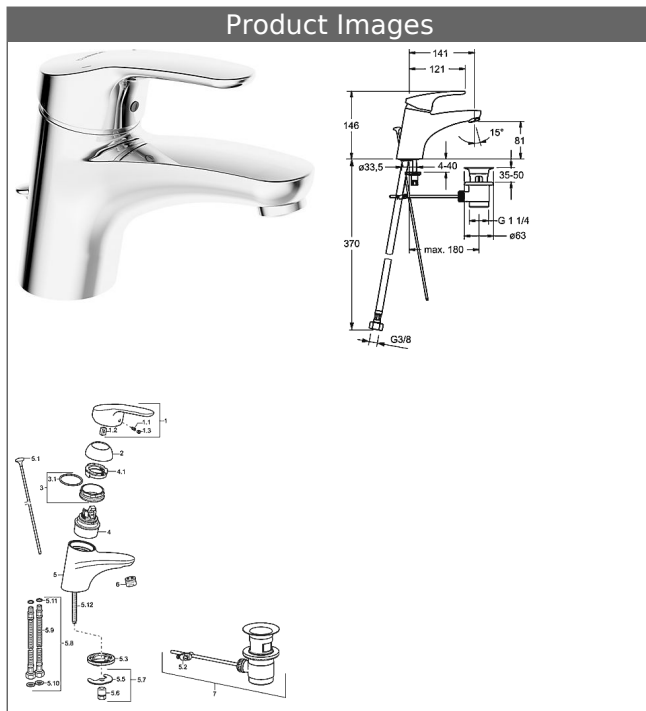


HANSAMIX one-hole single-lever basin mixer, DN 15



Description

HANSAMIX
one-hole single-lever basin mixer, DN 15

P-IX 28486/IA
flow rate: 8 l/min, at 3 bar hydraulic pressure

- body: DR brass (MS 63)
- operating lever (metal)
- (-) H+C symbol
- aerator
- (-) constant flow rate independent of pressure
- (-) improved limescale protection with the HONEYCOMB® structure
- pop-up waste (metal) and draw-rod
- rapid installation system
- connection with flexible hoses G 3/8 (-) DVGW W270 approved
- water saving fitting according to DIN EN 817

spout: fix, cast
projection: 141 mm

HANSAECO 4.8 control cartridge

Item No.: 59904601

Qty: 1


- (-) water brake at approx. 50% water rate
- (-) ceramic discs with integrated grease wells
- (-) scalding protection adjustable (except 0914, 0912, 0123, 0148)
- (-) volume restrictor indefinitely variable up to approx. 6 l/min

HANSAECO 4.8 control cartridge

Item No.: 59904601

Qty: 1

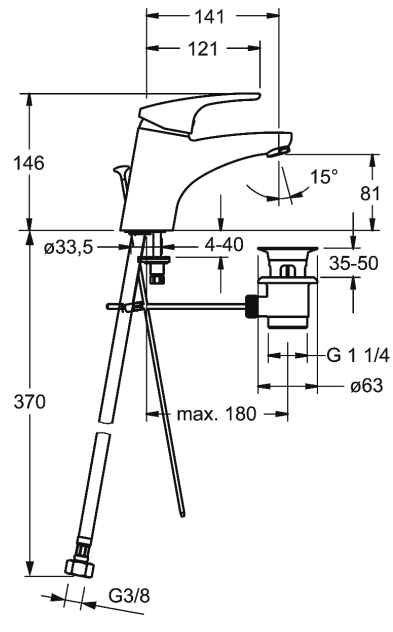
- (-) water brake at approx. 50% water rate
- (-) ceramic discs with integrated grease wells
- (-) scalding protection adjustable (except 0914, 0912, 0123, 0148)
- (-) volume restrictor indefinitely variable up to approx. 6 l/min

Model	Item No.	
chrome	01092283	

Product Image



Product Drawing



Product Drawing

